



- Standard Technical Details
- Product Details
- Product Gallery
- Application
- Application Gallery
- Machine Layout
- Salient Features

## ACROFLEX-CDB

### Flexographic Printing Machine

The programmable AC imported drive driven Flexographic printing machine with sturdy design, allow the optimum speed, stability and easy operations. Elegantly designed, state of the art machine with practically tolerance free format setting ensure reduced film waste.

### Standard Technical Specification

|                          |   |
|--------------------------|---|
| Range of Width           | 500/ 600/ 800/ 1000/ 1200/ 1600 (in mm)                   |
| Range of Line Speed(MPM) | 150   |
| Range of Colours         | 2/ 4/ 6/ 8  |
| Web Tension Range        | 20-400 N  |
| Material's Range         | HDPE/ LLDPE/ LDPE/ PP/ BOPP/ NON-WOVEN/ PAPPER/ HM/ WOVEN |

  
**Download Brochure**

  
**Quick Inquiry**

### Product Gallery





**PRODUCT VIDEO**



**CERAMIC TYPE FLEXOGRAPHIC PRINTING MACHINE**  
**ACROFLEX-CT**  
**SPECIFICATION**  
Width - 1600mm  
Speed - 150m/min  
Ceramic Anilox Roll  
High Speed  
Web Video, Digital Weigher/Controlbar



**PLASTIC FLEXOGRAPHIC PRINTING MACHINE**  
**ACROFLEX**  
**SPECIFICATION**  
Width - 800mm  
Speed - 150m/min  
Ceramic Anilox Roll



**PLASTIC FLEXOGRAPHIC PRINTING MACHINE**  
**ACROFLEX**  
**SPECIFICATION**  
Width - 800mm  
Speed - 150m/min  
Ceramic Anilox Roll



**BIO-DEGRADABLE FLEXOGRAPHIC PRINTING MACHINE**  
**ACROFLEX**  
**SPECIFICATION**  
Bio Degradable Printing  
Width - 800mm  
Speed - 150m/min



**BIO-DEGRADABLE FLEXOGRAPHIC PRINTING MACHINE**  
**ACROFLEX**  
**SPECIFICATION**  
Bio Degradable Printing  
Width - 800mm  
Speed - 150m/min

## Application

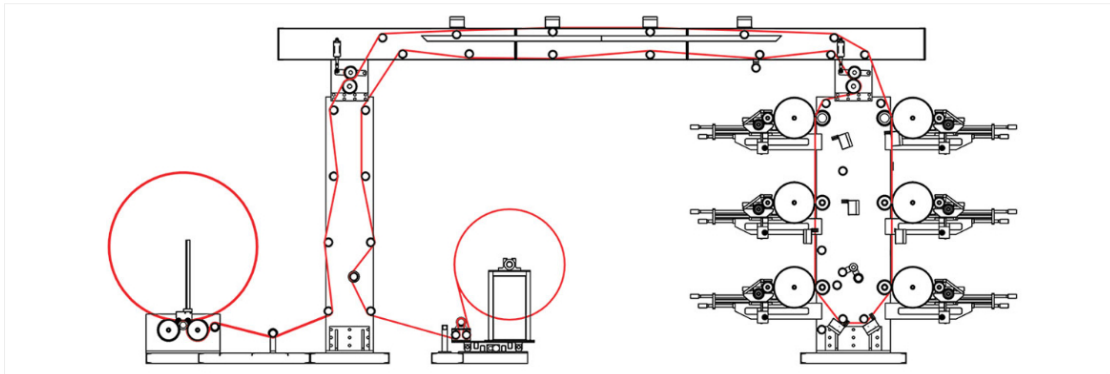
Flexographic – abbreviated to flexo – printing is a form of rotary printing in which quick-drying inks are transferred from flexible printing plates to a substrate. This is primarily used for large-scale printing of text and images on a variety of materials such as plastic, fabrics, metallic film, paper and nonwovens. The benefits of flexo printing are many, including:

- > The ability to quickly change the print designs
- > Easy adjustment of the repeat length of the printed pattern
- > Speed of the production process which, once the initial setup is completed, is fully automated
- > The ability to use a wide variety of ink types
- > Environmentally-friendly process, when water-based inks are used
- > Low maintenance requirements, with parts that tend to have a long operating life

## Application Gallery



## Machine Layout



## Technical Specifications

| Sr | Model       | Web Width Max. (mm) | Print Repeat Min. - Max. | Connected Load KW* |          |          |          |
|----|-------------|---------------------|--------------------------|--------------------|----------|----------|----------|
|    |             |                     |                          | 2 Colour           | 4 Colour | 6 Colour | 8 Colour |
| 1  | AIM 500 FP  | 500                 | 8" - 32"                 | 9                  | 11       | 18       | 20       |
| 2  | AIM 600 FP  | 600                 | 8" - 32"                 | 10                 | 12       | 19       | 21       |
| 3  | AIM 800 FP  | 800                 | 8" - 32"                 | 12                 | 14       | 21       | 23       |
| 4  | AIM 1000 FP | 1000                | 8" - 32"                 | 14                 | 16       | 23       | 25       |
| 5  | AIM 1200 FP | 1200                | 10" - 36"                | 16                 | 18       | 26       |          |
| 6  | AIM 1600 FP | 1600                | 10" - 36"                | 18                 | 20       | 28       |          |

## Salient Features

|  |   |
|--|---|
| Unwinder/ Rewinder Group                                 | + |
| Web Guiding  | + |
| Ideal Rollers  | + |
| Control System   | + |
| Drying System  | + |
| Ceramic Anilox Roll (Optional)                           | + |
| Doctor Blade Chamber and Ink Circulating Pump (Optional) | + |
| Web Video System (Optional)                              | + |
| Pneumatic Air Shaft (Optional)                           | + |



Aim Machintechnik Pvt. Ltd. is the leading manufacturer and exporter of plastic converting machines..



### Contact Us

Plot No. 2803, Road No. I-2,  
GIDC Lodhika Estate, Gate No.-1,  
Kalawad Road, Metoda-360021,  
Dist.-Rajkot, Gujarat, India

+91 98241 12034  
+91 99244 99923

anilsavsani@aimflex.com  
jeetsavsani@aimflex.com

### Subscribe Our Newsletters

Enter Your Email

Subscribe Now

### Quick Links

- > About Us
- > Application
- > Service and Support
- > Awards
- > Quality
- > Event and Exhibition
- > Careers
- > Contact us

### Our Products

- > Rotogravure Printing Machine
- > Flexographic Printing Machine
- > Lamination Machine
- > Slitter Rewinding Machine

